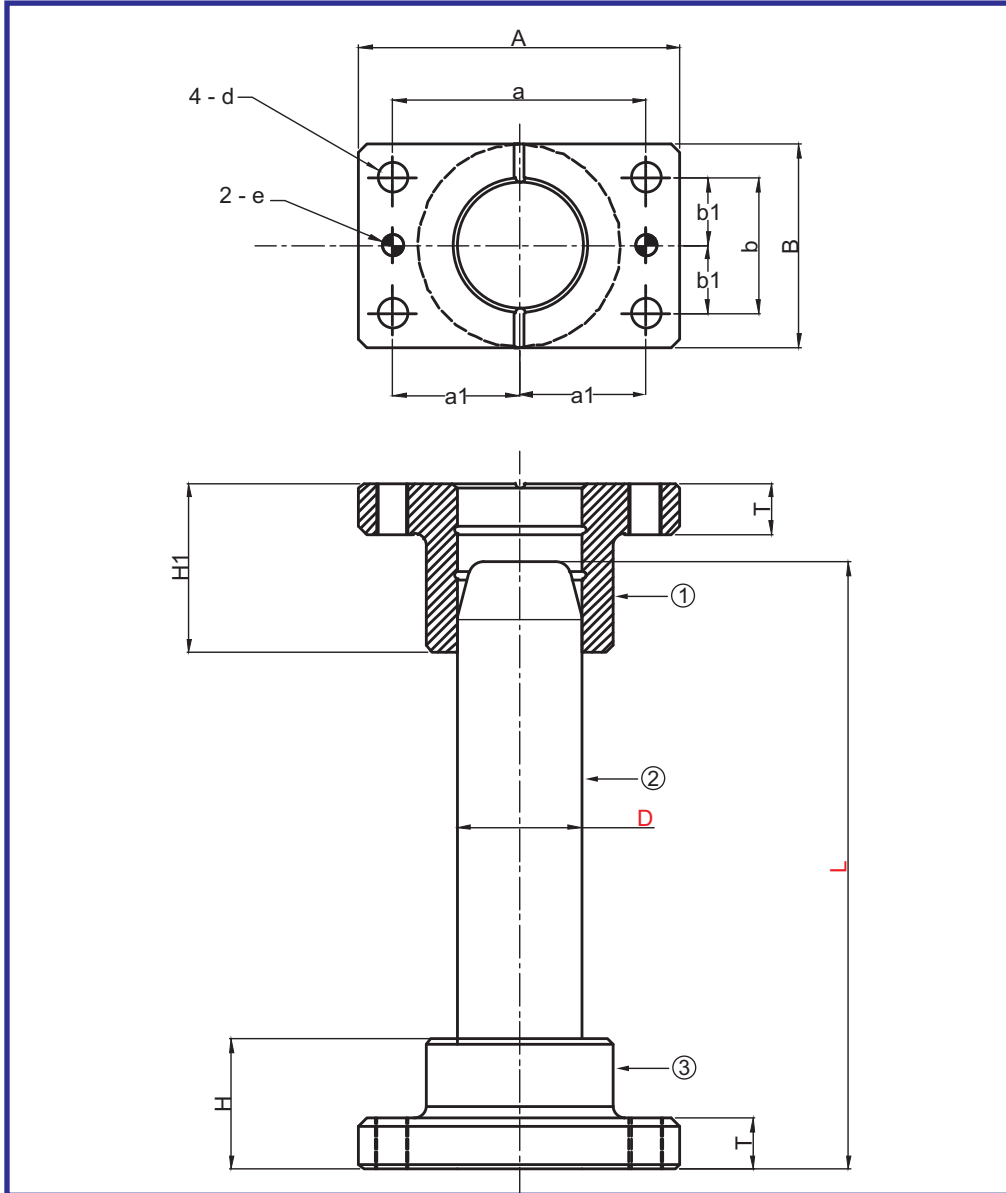


## ► Plain Guide Post with Dowel Hole (DEMP - O / DEMP - OL)



**Material :-**

- 1) FG 260
- 2) C 45
- 3) FG 260

**Hardness :-**

Pillar - 53 to 55 HRC

**O** - Oil Type

**OL** - Oilless Type

CODE Type	Dia D	A	B	a	a1	b	b1	H	H1	T	eh7	Dia d
		±1	±1	±0.015		±0.015		±1	±1	±0.5	+0.2	0.015
DEMP	20	74	44	56	28	30	15	30	40	15	6	6.6
DEMP	25	84	48	66	33	30	15	30	45	20	8	9
DEMP	30	100	58	76	38	36	18	40	50	20	8	11
DEMP	32	100	58	76	38	36	18	40	50	20	8	11
DEMP	36	130	75	100	50	44	22	50	60	25	10	11
DEMP	38	130	75	100	50	44	22	50	60	25	10	11
DEMP	40	130	75	100	50	44	22	50	60	25	10	11
DEMP	48	155	90	125	62.5	60	30	65	85	25	10	14
DEMP	50	155	90	125	62.5	60	30	65	85	25	10	14
DEMP	60	190	120	150	75	80	40	75	100	30	13	18
DEMP	80	230	150	180	90	110	55	100	130	35	16	22

**Order Type :** Code - Type Dia (D) X Pillar Length | **Example :** DEMP - OL 32 X 200

**Note :** Kindly refer Page No.115 for Guide Post Length